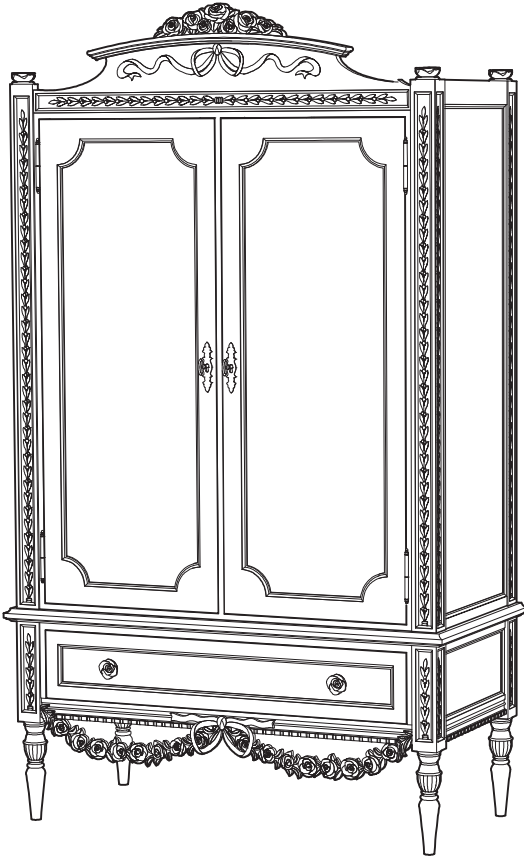


Rose

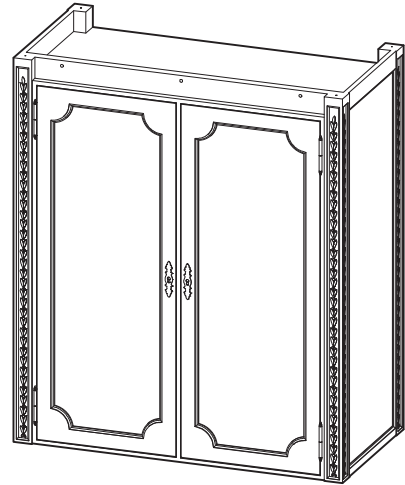
MNA2



x1



x4



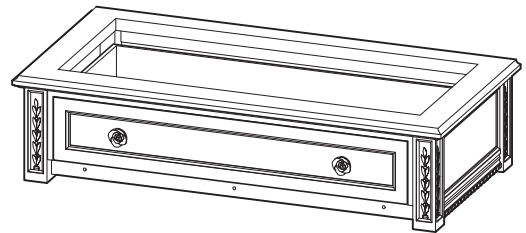
x1



x2



x2



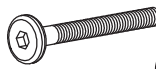
x1



x1



x4



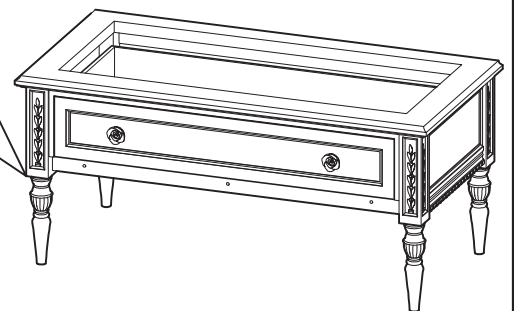
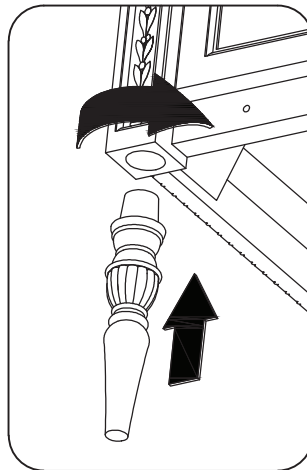
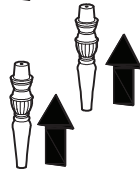
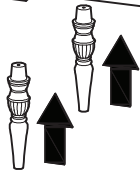
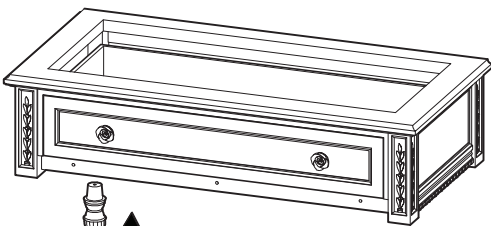
x6



x1



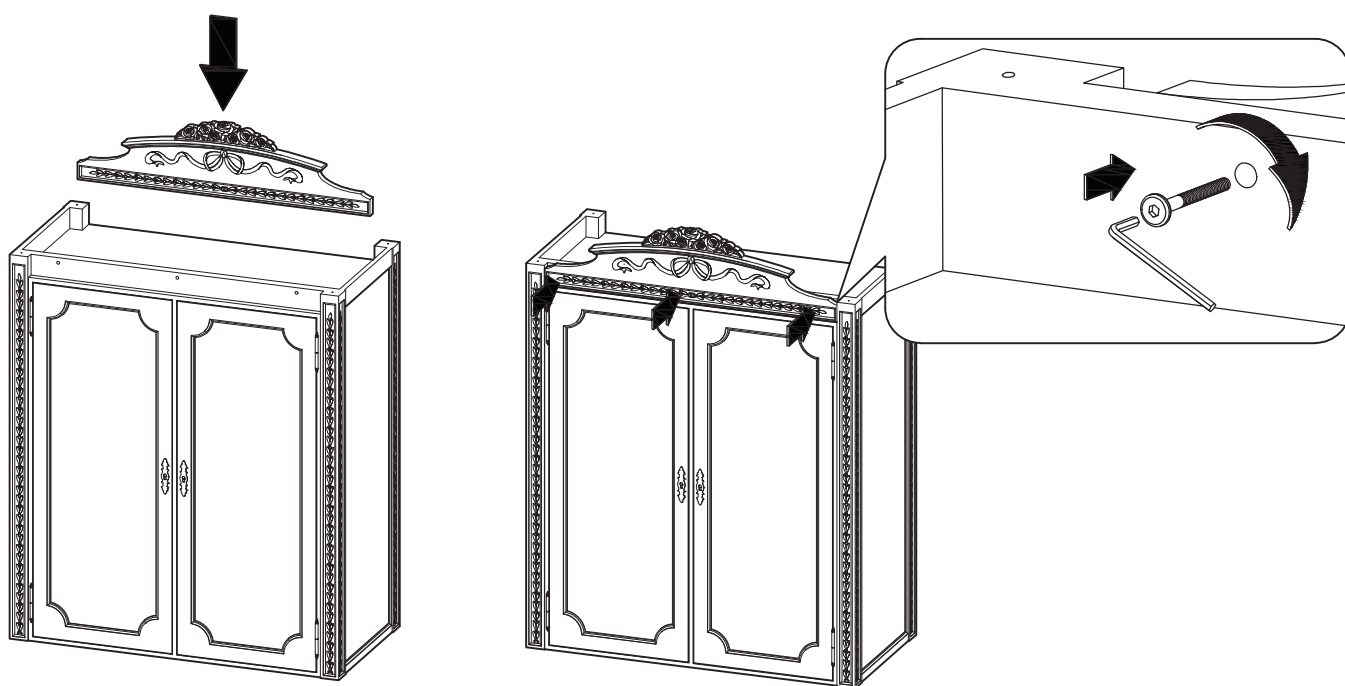
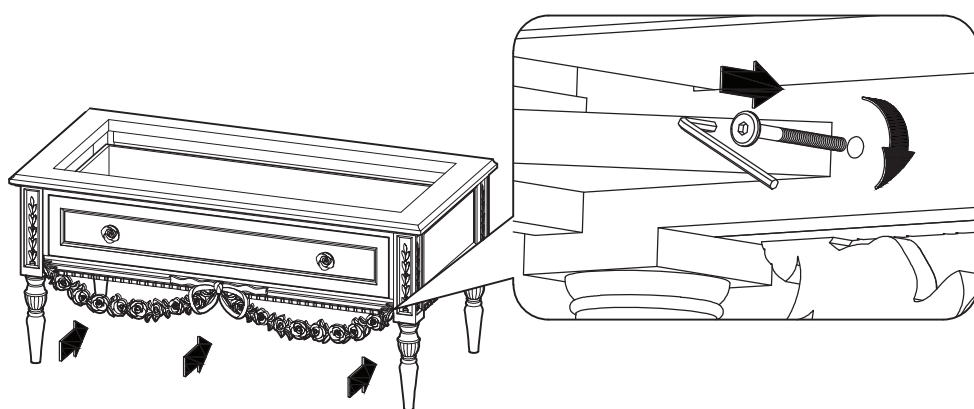
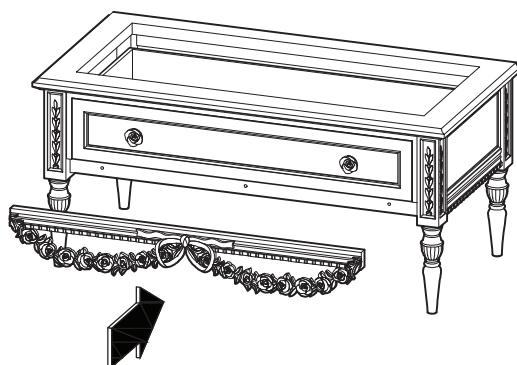
x16



1/5

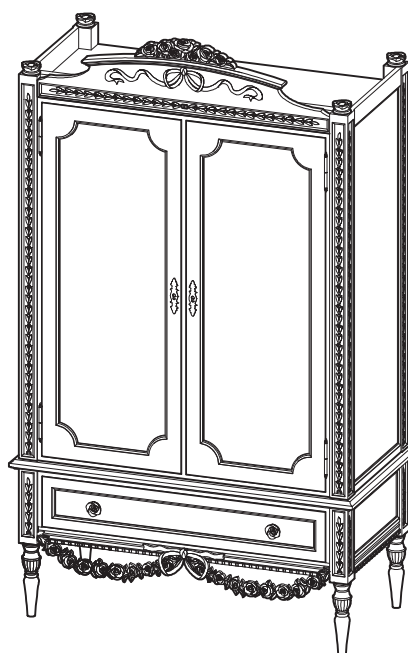
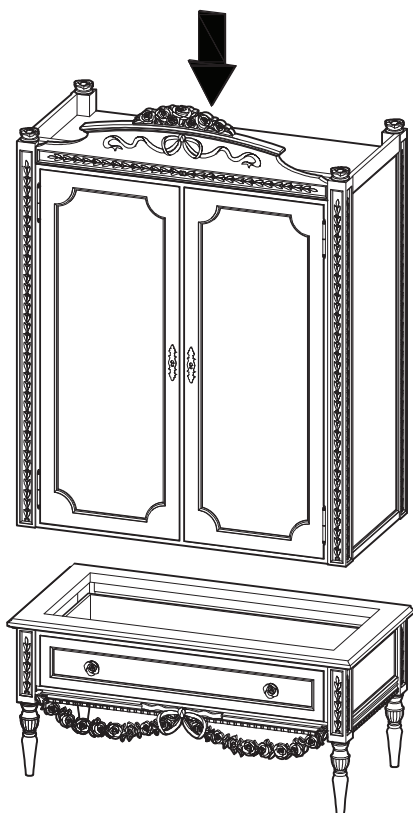
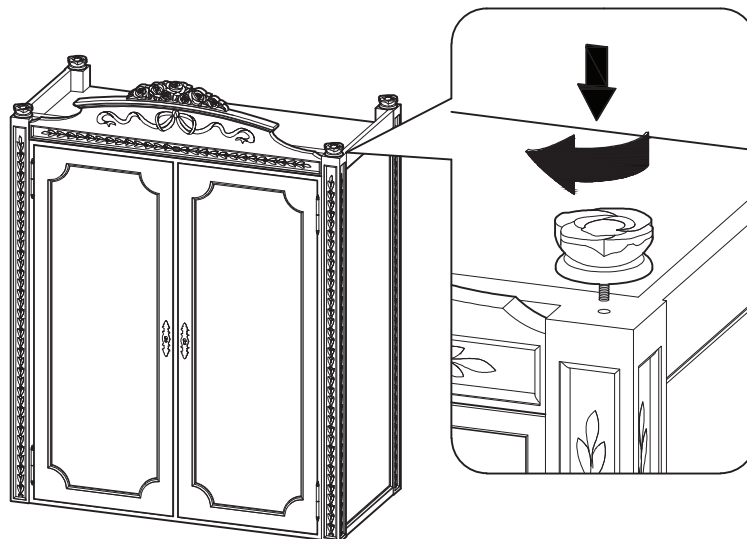
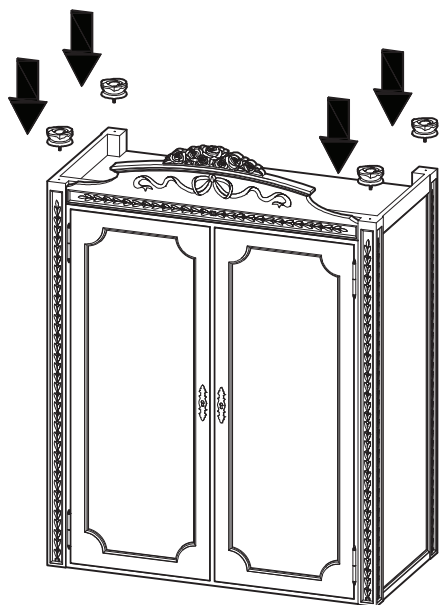
Rose

MNA2



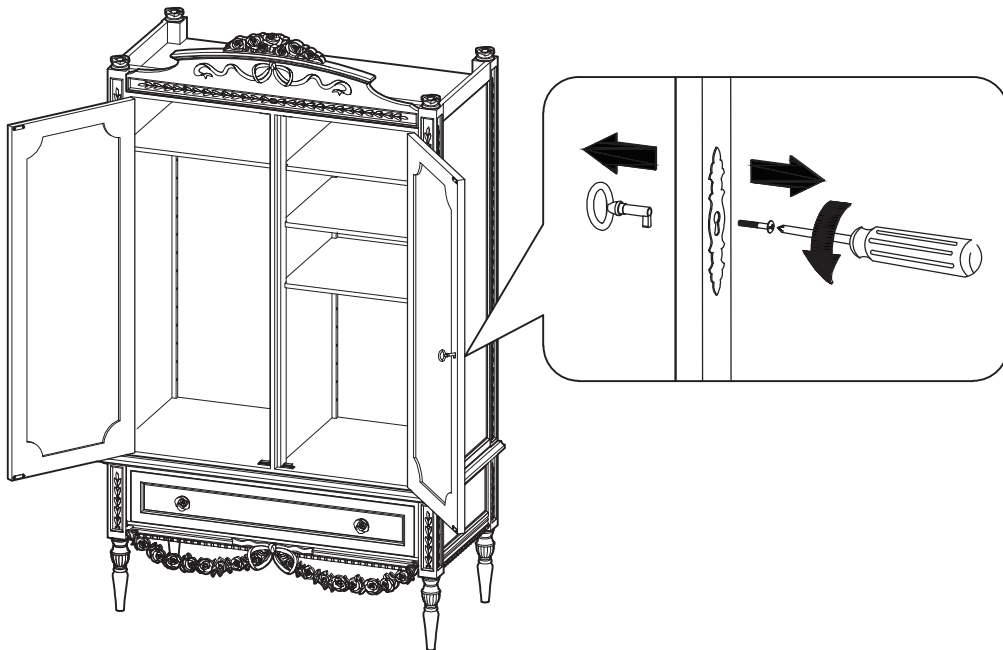
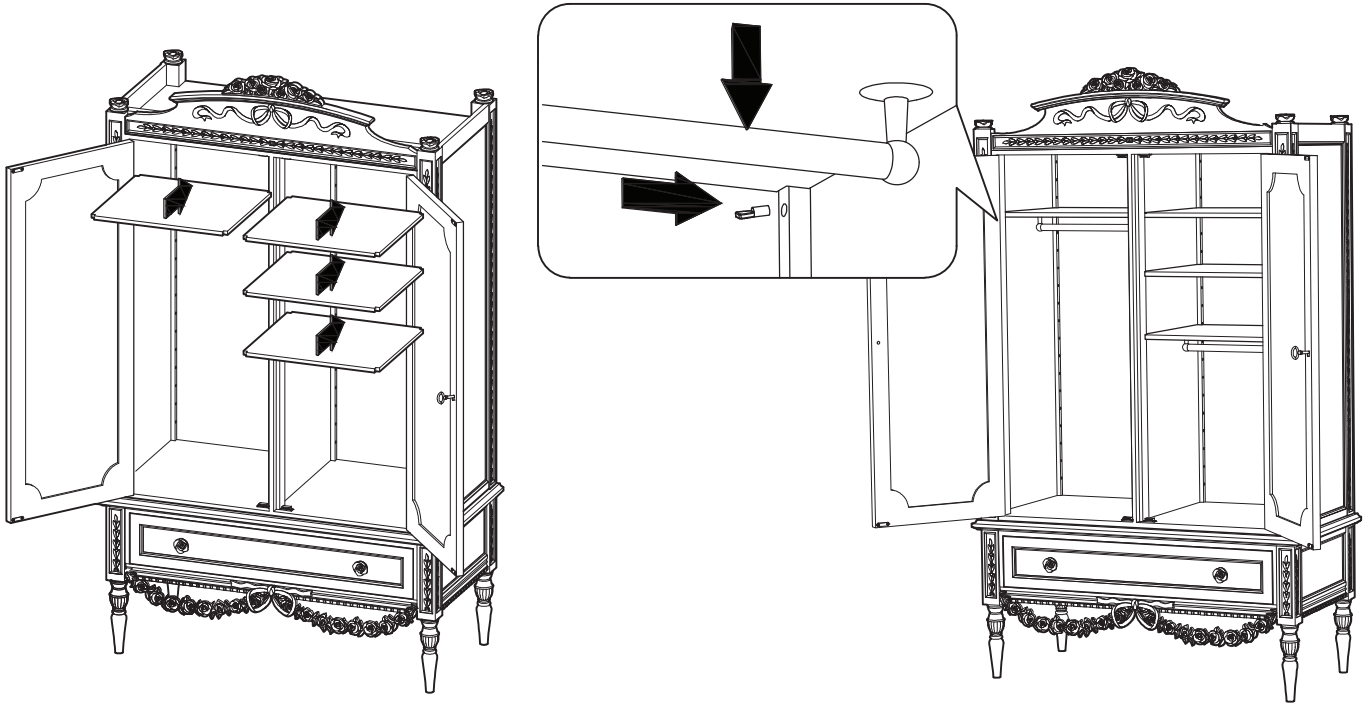
Rose

MNA2



Rose

MNA2



Rose

MNA2

