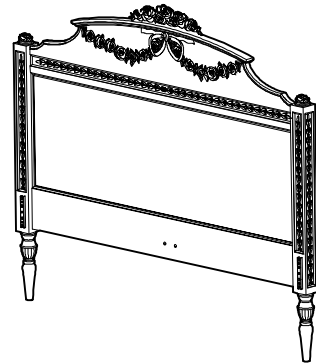
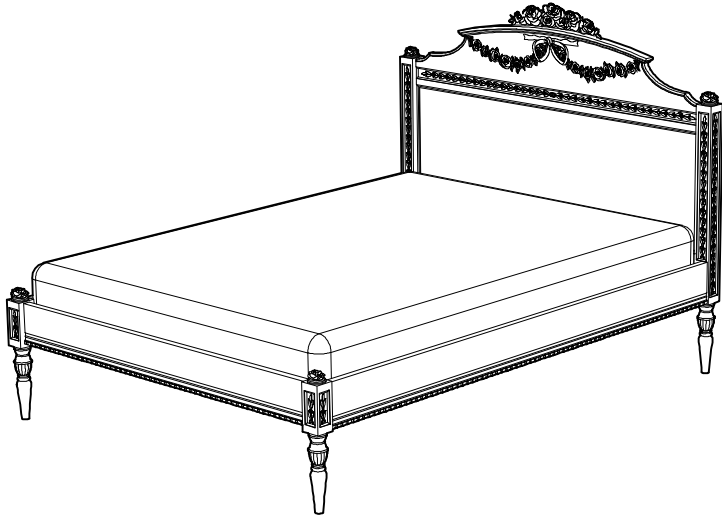
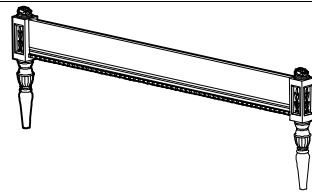


Rose[®]

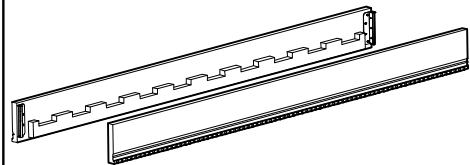
MNL2



x1



x1



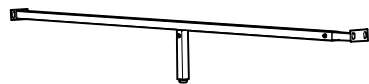
x1



x8



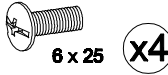
x2



x1



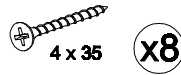
6 x 15 x8



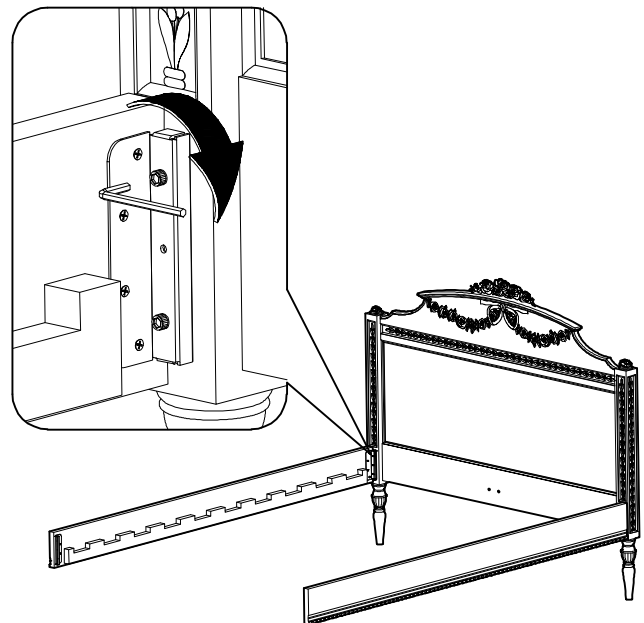
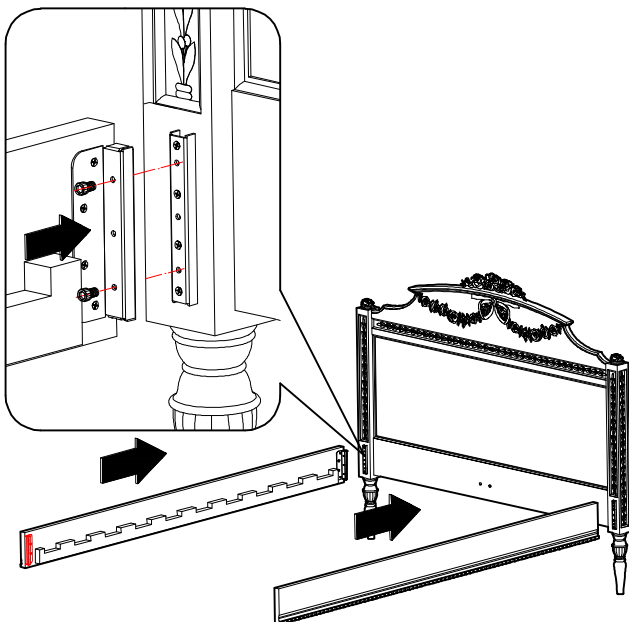
6 x 25 x4



Clef 5 x1

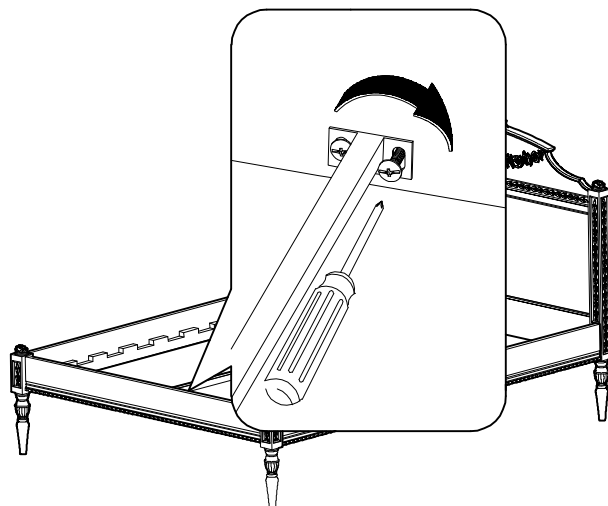
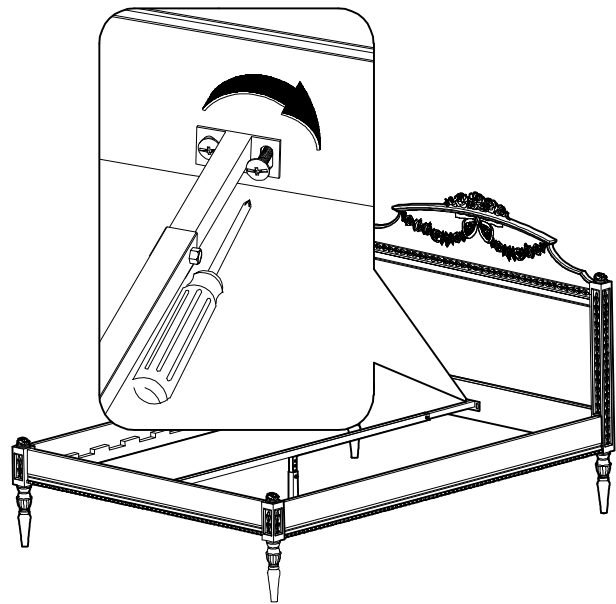
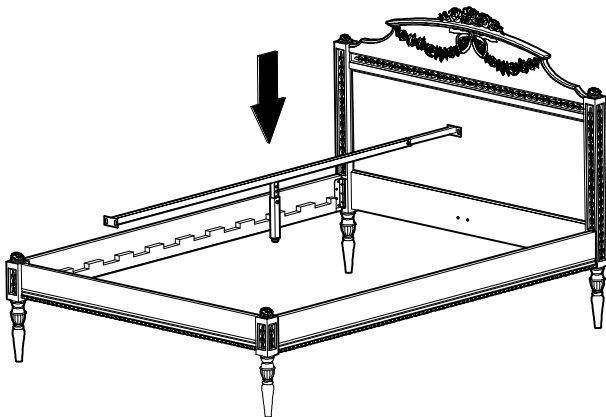
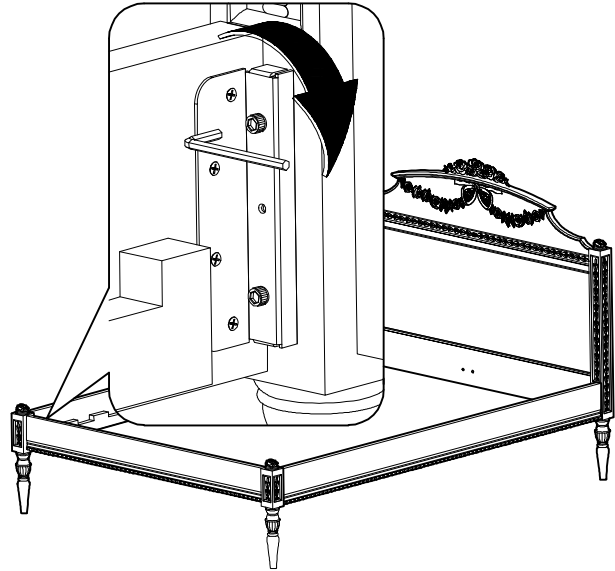
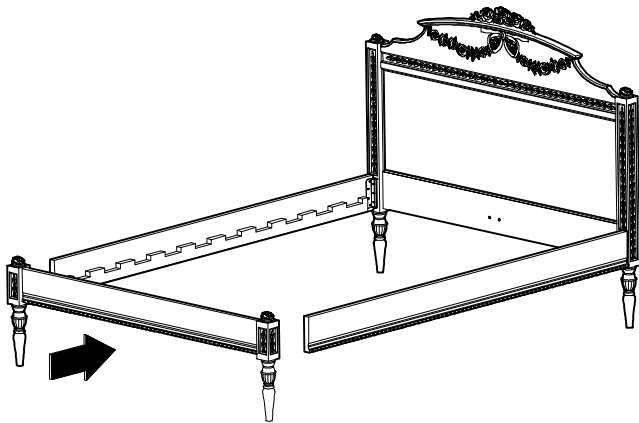


4 x 35 x8



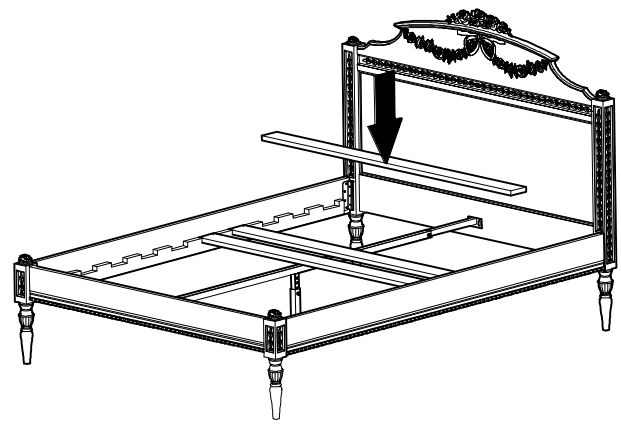
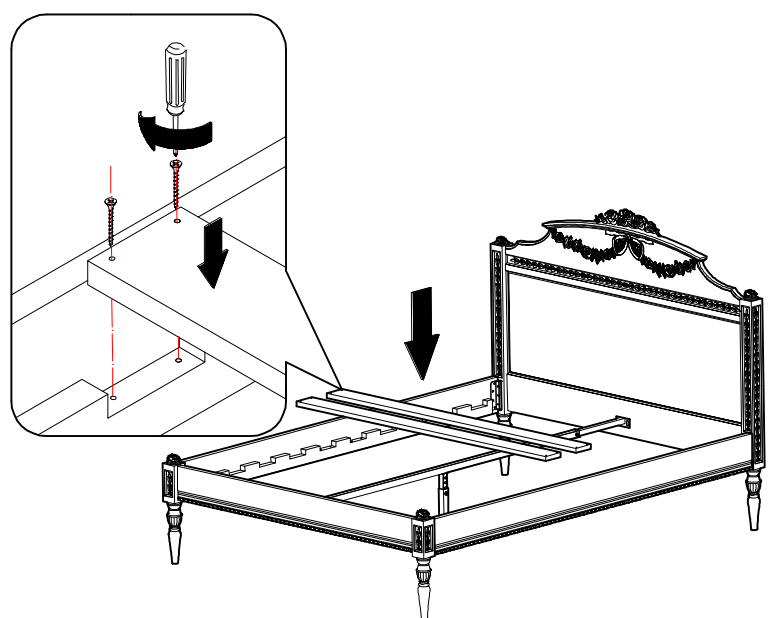
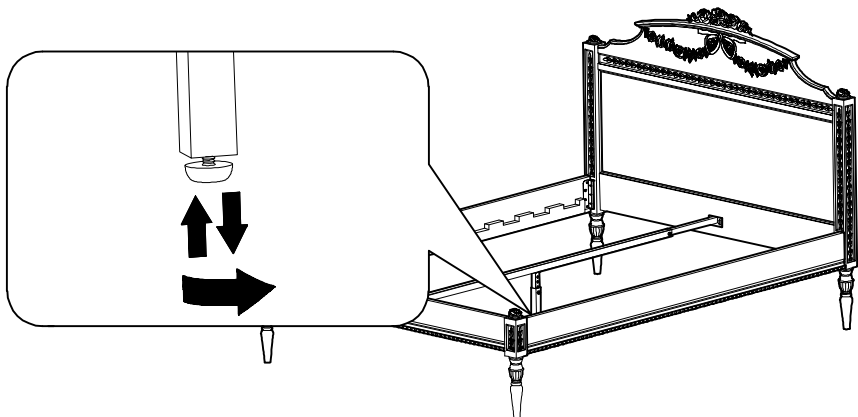
Rose®

MNL2



Rose[®]

MNL2



Rose[®]

MNL2

